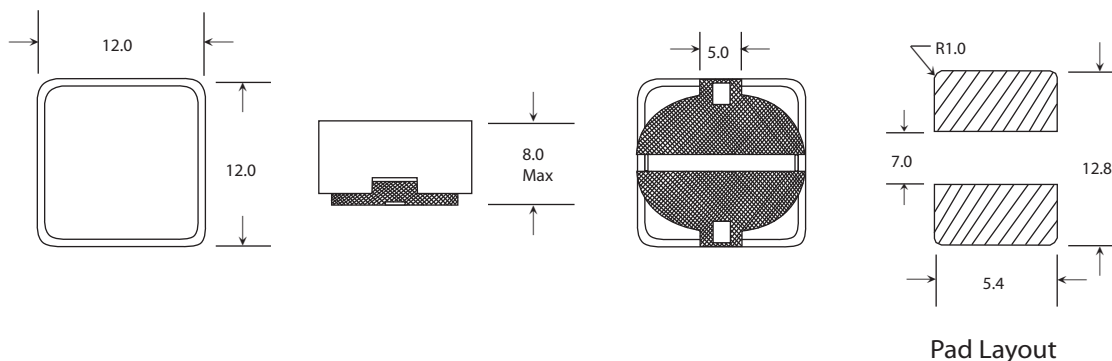


Mechanical Specification



Dimensions : mm
Tol : ±0.3

Special Features

- High current capacity
- Magnetic shielded for low radiation
- Ferrite bobbin core
- Low core loss for high frequency power application
- Compact size
- Large terminal surface for good PCB bonding
- Operating temperature -30°C to +100°C
- Tape & reel packaged 500/reel

Notes

* Current to cause maximum 25% of inductance drop, or 40°C temperature rise

Electrical Specification

VV-8014 SERIES

Part Number	L(μH) ±30%	Test Freq (KHz)	DCR (Ω) Max.	I _{DC} * (A)
VV-8014-1R2N	1.2	100	0.007	9.8
VV-8014-2R4N	2.4	100	0.012	8.0
VV-8014-3R5N	3.5	100	0.014	7.5
VV-8014-4R7N	4.7	100	0.016	6.8
VV-8014-6R1N	6.1	100	0.018	6.6
	±20%			
VV-8014-100M	10	1.0	0.022	5.4
VV-8014-120M	12	1.0	0.024	4.9
VV-8014-150M	15	1.0	0.027	4.5
VV-8014-180M	18	1.0	0.039	3.9
VV-8014-220M	22	1.0	0.043	3.6
VV-8014-270M	27	1.0	0.046	3.4
VV-8014-330M	33	1.0	0.065	3.0
VV-8014-390M	39	1.0	0.073	2.7
VV-8014-470M	47	1.0	0.100	2.5